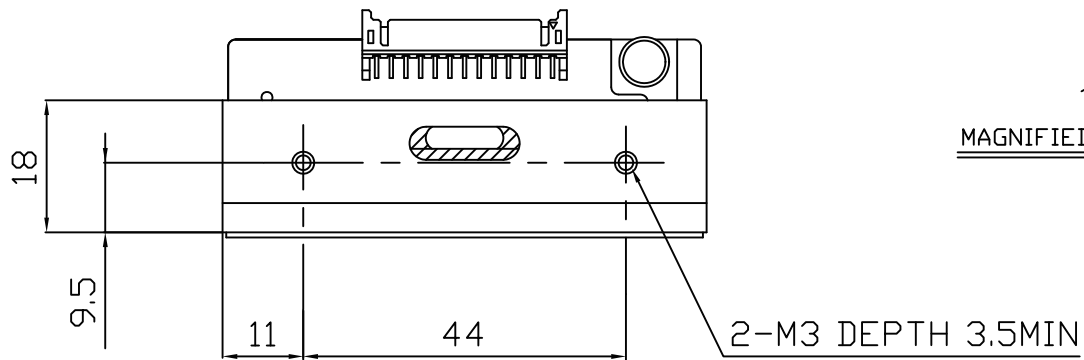


MAGNIFIED VIEW OF PART "A" (2/1)



KPE-57-12GBH4-STA