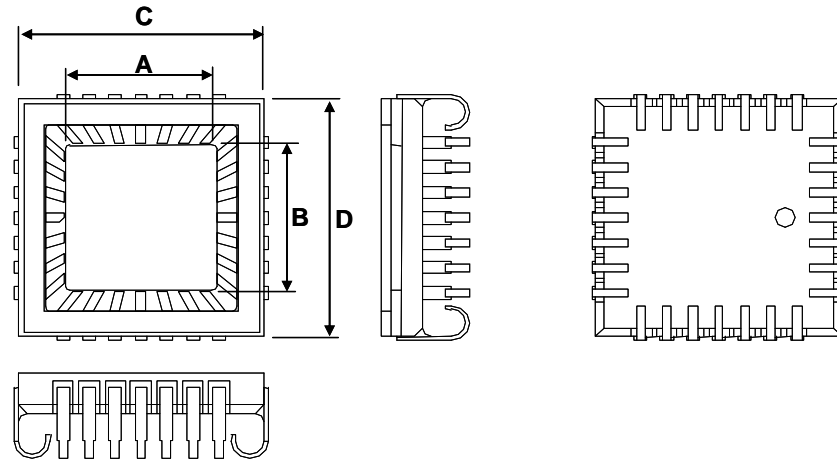


KYOCERA C-QFJ (CERAMIC QUAD FLAT J-LEADED PACKAGES)



Inquiries about this list

Unit : mm [Please click here for inch dimensions.](#)

N=No Metallization

0=No Connection

R0167D

LEAD COUNT	DIE CAVITY A x B	OVERALL C x D	LAYER THICKNESS				LEAD		KYOCERA CERAMIC MATERIAL CODE A440: Black	CONNECTION		DRAWING NUMBER
			1ST	2ND	3RD	TOTAL	STAND OFF HEIGHT	PITCH		SEAL RING	DIE ATTACH	
28	4.06 X 3.56	11.43SQ	0.51	0.51	0.51	1.52	0.89	1.27	A440	0	0	PB-F86193
28	6.10SQ	11.43SQ	0.51	0.51	0.51	1.52	0.89	1.27	A440	0	0	PB-F87048
28	6.86SQ	11.43SQ	0.51	0.51	0.76	1.78	1.98	1.27	A440	0	0	PB-F86256
28	7.37SQ	12.04SQ	0.51	0.51	1.02	2.03	2.29	1.27	A440	0	0	PB-F88345
44	6.35SQ	16.51SQ	0.51	0.51	0.64	1.65	0.91	1.27	A440	0	0	PB-F86079
44	7.62SQ	16.51SQ	0.51	0.51	0.64	1.65	1.02	1.27	A440	0	0	PB-F86090-A
44	7.62SQ	16.51SQ	0.51	0.51	0.51	1.52	1.14	1.27	A440	0	0	PB-F86091
44	8.64SQ	16.51SQ	0.51	0.64	0.64	1.78	0.89	1.27	A440	0	0	PB-F86315

LEAD COUNT	DIE CAVITY A x B	OVERALL C x D	LAYER THICKNESS				LEAD		KYOCERA CERAMIC MATERIAL CODE A440: Black	CONNECTION		DRAWING NUMBER
			1ST	2ND	3RD	TOTAL	STAND OFF HEIGHT	PITCH		SEAL RING	DIE ATTACH	
44	8.64SQ	16.51SQ	0.51	0.64	0.64	1.78	0.89	1.27	A440	0	0	PB-F86767
44	10.16SQ	16.51SQ	0.51	0.51	0.64	1.65	1.02	1.27	A440	0	0	PB-F86641
44	11.18SQ	16.51SQ	0.51	0.64	0.64	1.78	0.89	1.27	A440	0	0	PB-F87049
48	6.60SQ	14.22SQ	0.64	0.64	0.76	2.03	0.89	1.02	A440	0	0	PB-F88206
52	8.89SQ	19.05SQ	0.51	0.51	0.51	1.52	0.89	1.27	A440	0	0	PB-F86237
68	7.62SQ	24.13SQ	0.51	0.51	1.02	2.03	0.89	1.27	A440	0	0	PB-F86320-A
68	8.26SQ	24.13SQ	0.51	0.76	0.76	2.03	0.89	1.27	A440	0	0	PB-F85652
68	10.16SQ	24.13SQ	0.51	0.64	0.89	2.03	0.89	1.27	A440	0	0	PB-F86764
68	10.16SQ	24.13SQ	0.51	0.51	1.02	2.03	0.89	1.27	A440	0	0	PB-F87530-A
68	11.68SQ	24.13SQ	0.51	0.51	1.02	2.03	0.89	1.27	A440	0	0	PB-F87032
68	11.94SQ	24.13SQ	0.51	0.51	1.02	2.03	0.89	1.27	A440	0	0	PB-F86635
84	7.62SQ	29.21SQ	0.51	0.64	0.89	2.03	0.89	1.27	A440	0	0	PB-F88432
84	7.62SQ	29.21SQ	0.76	0.38	0.51	1.65	2.16	1.27	A440	0	0	PB-F86074
84	12.70SQ	29.21SQ	0.51	0.76	0.76	2.03	1.78	1.27	A440	0	0	PB-F86475

* Contents in this list are subject to change without notice. It is recommended to confirm the latest information at the time of usage.
We may not be able to accept requests based on old list.