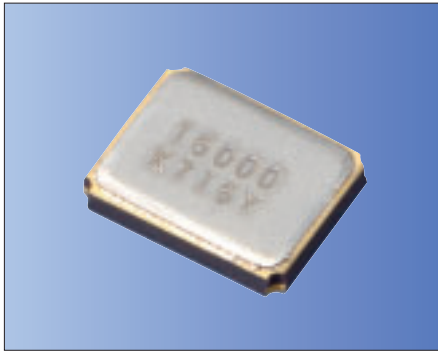


3.2×2.5mm for GPS



RoHS Compliant

Features

- Crystal unit for GPS Products
- Miniature and low profile (3.2×2.5×0.55mm)
- Ceramic package
- Reflow compatible

Applications

- GPS

How to Order

CX3225SB 19200 DO G L J CC
① ② ③ ④ ⑤ ⑥ ⑦

- ① Series
- ② Frequency
- ③ Load Capacitance
- ④ Frequency Tolerance
- ⑤ Operating Temp. Range
- ⑥ Frequency Temp. Stability
- ⑦ Individual Specification (STD Specification is "CC")

DO	8 pF	G	±10×10 ⁻⁶
LJ	-30 to +85°C		±15×10 ⁻⁶

Packaging (Tape & Reel 1000/ 3000 pcs./ reel)

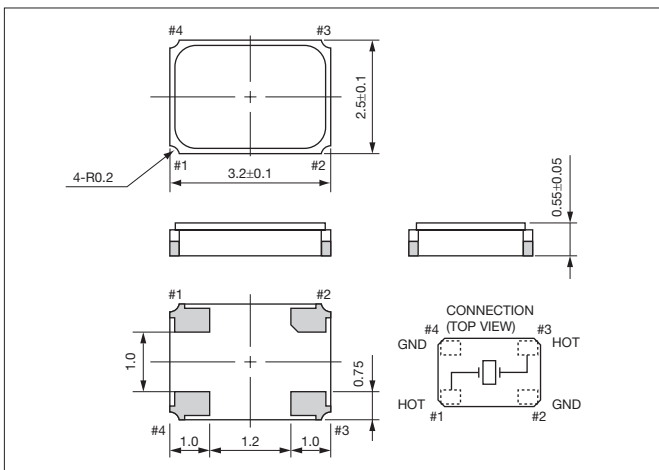
Specifications

Item	Symbol	Specification	Units	Remarks
Frequency Range	f _{nom}	19200 26000	kHz	
Overtone Order	OT	Fundamental	—	
Load Capacitance	CL	8	pF	Please contact us for other Load Capacitance.
Frequency Tolerance	f _{tol}	±10	×10 ⁻⁶	25°C±3°C
Motional Series Resistance	R1	80 50	ohm	
Drive Level	DL	10	μW	
Operating Temp. Range	T _{use}	-30 to +85	°C	
Storage Temp. Range	T _{stg}	-40 to +85	°C	
Frequency Temp. Characteristics	f _{tem}	±15	×10 ⁻⁶	Freq. deviation from the value at 25°C

Please contact us for other specifications.

Dimensions

(Unit: mm)



Recommended Land Pattern

(Unit: mm)

